

ThermoLazer™ Pavement Marking System

313880A

- For professional application of thermoplastic traffic marking compound materials (reflective beads applied simultaneously with screeding) -
- For outdoor use only (not to be operated in rain or damp conditions) -

Model No. 258699 North America - Includes 257500 and 4 in. (10 cm) SmartDie™ Screed Box
Model No. 257500 International (SmartDie™ Screed Box not included)

Fuel: LP Gas (Propane Vapor)

Burner capacities (max total): 138,000 BTU/hr. (38,000 BTU/hr. without torch)

Material capacity (max): 300 lb



IMPORTANT SAFETY INSTRUCTIONS

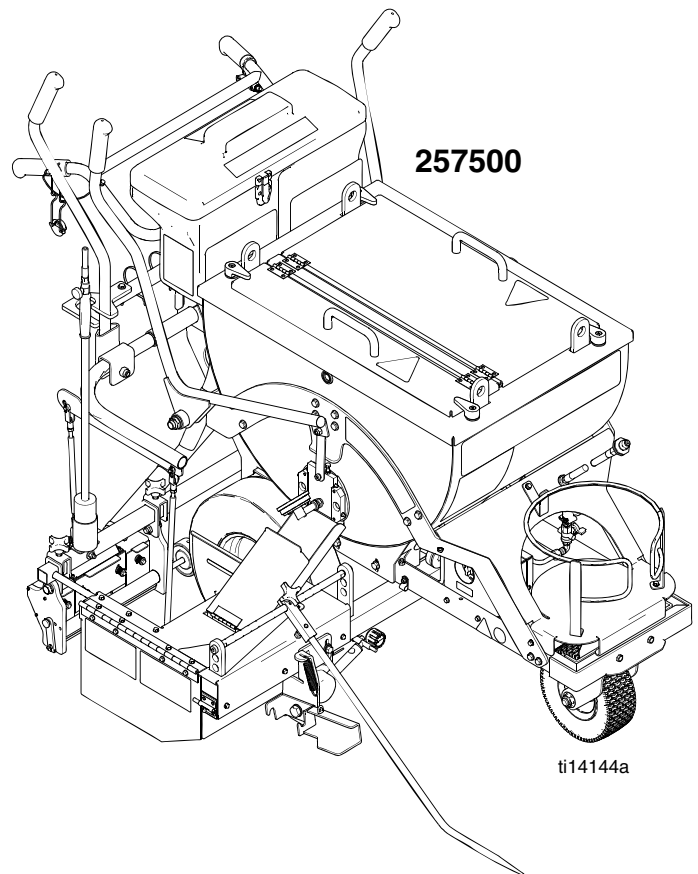
Read all warnings and instructions in this manual. Save these instructions.

Related Manuals

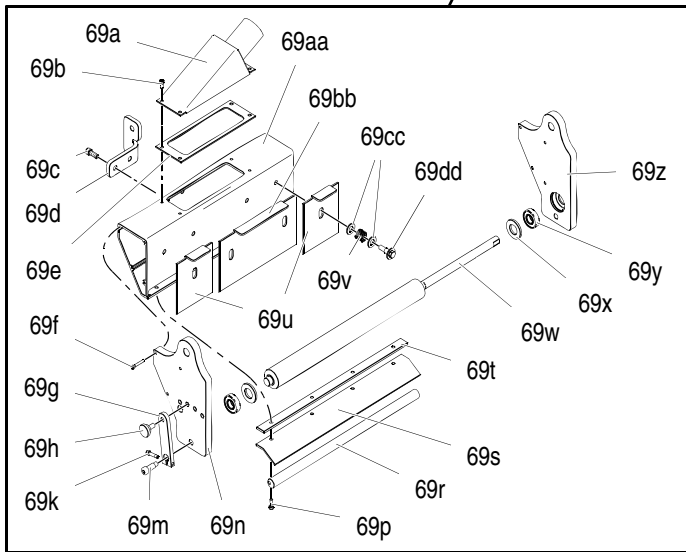
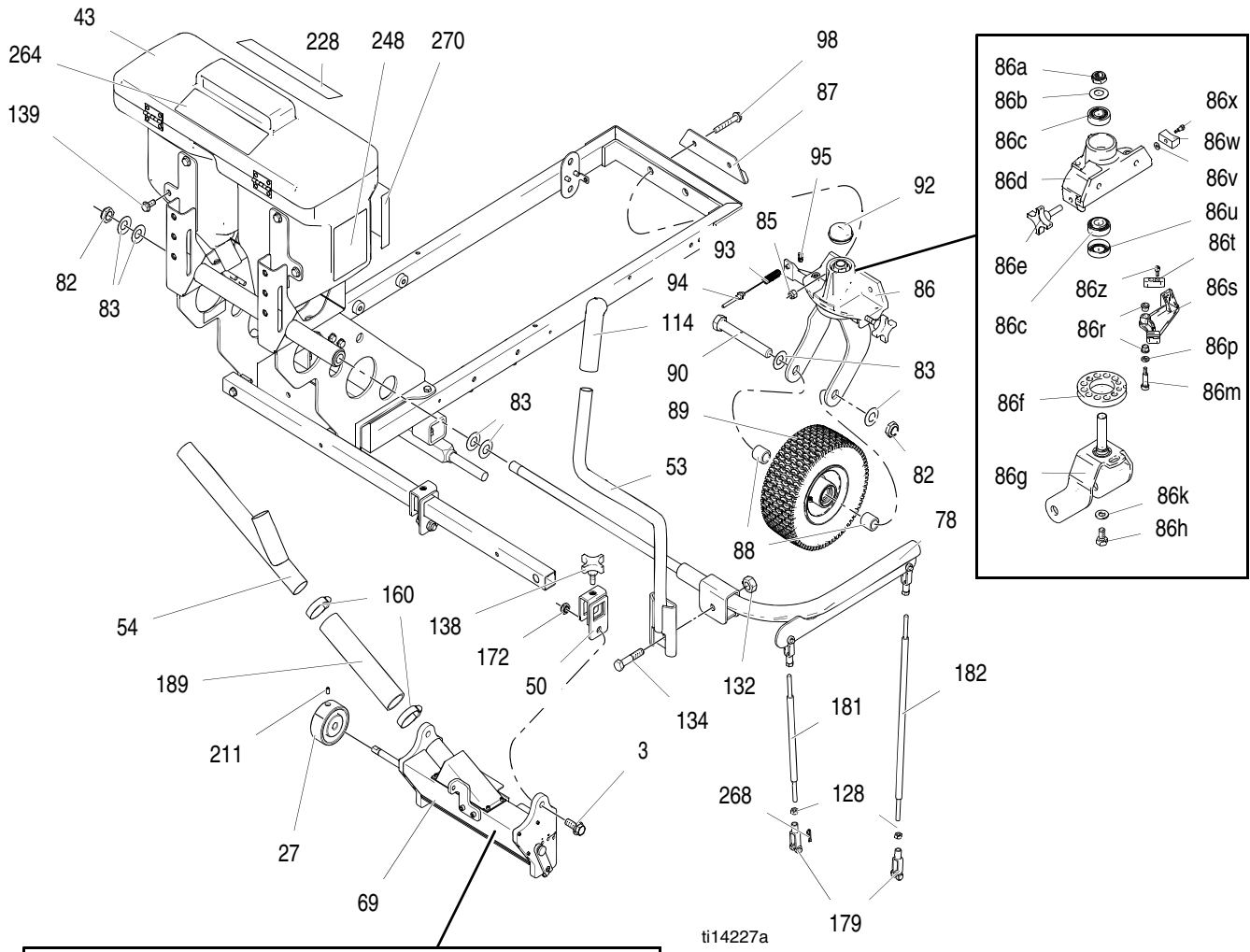
Operation 313787
Repair 313879

For use with the following SmartDie™ Screed Box:

Part	Description
256736	4 in. (10 cm) Screed Box
257469	5 in. (12 cm) Screed Box
256737	6 in. (15 cm) Screed Box
257470	7 in. (18 cm) Screed Box
256738	8 in. (20 cm) Screed Box
257471	9 in. (22.5 cm) Screed Box
257472	10 in. (26 cm) Screed Box
256739	12 in. (30 cm) Screed Box
256799	Double Line 4-4-4 in. (10-10-10 cm) Screed Box
24B729	Double Line 4-3-4 in. (10-8-10 cm) Screed Box



Parts



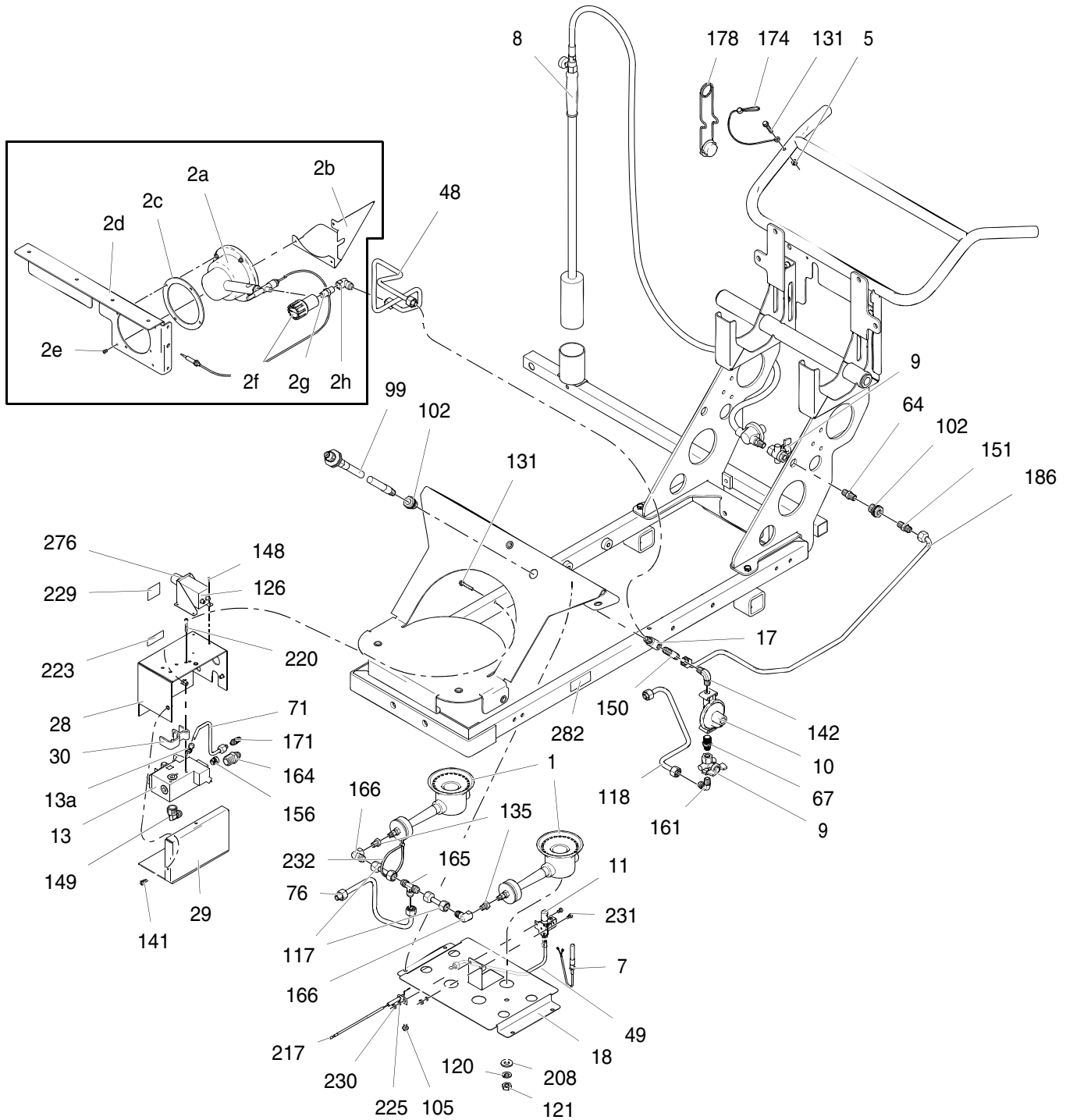
ti14227a

Parts List

Ref.	Part	Description	Qty.	Ref.	Part	Description	Qty.
3	111195	SCREW, cap, flnghd	2	86g	240942	SHAFT, fork	1
27	15X765	WHEEL, drive, bead	1	86h	114681	SCREW, cap, hex hd	1
43	257311	HOPPER, bead, Thermolazer	1	86k	113962	WASHER, hardened, sae	1
50	257399	CLAMP, beadbox	2	86m	120476	BOLT, shoulder, 5/16	1
53	257455	HANDLE, lift, die/bead dispenser	1	86p	15J603	SPACER, round, .625 o.d.	1
54	257617	CONNECTOR, bead box hose	1	86r	114548	BEARING, bronze	2
69	257400	DISPENSER, 12 in. bead box	1	86s	193528	ARM, detent	1
69a	257378	MANIFOLD, assembly	1	86t	193662	STOP, wedge	1
69b	112788	SCREW, cap, socket hd	4	86u	113484	SEAL, grease	1
69c	121112	SCREW, cap, socket head	2	86v	112776	WASHER, plain	1
69d	15X376	BRACKET, beadbox, linkage	1	86w	193661	JAW	1
69e	16A243	GASKET, foam	1	86x	108483	SCREW, shoulder, sch	1
69f	110631	SCREW, socket, hd	8	86z	110754	SCREW, cap, sch	2
69g	15X282	HANDLE, adjuster	1	87	240991	BRACKET, caster, front	1
69h	123261	SCREW, thumb	1	88	193658	SPACER, seal	2
69k	295709	SCREW, cap, sockethead	1	89	114549	WHEEL, pneumatic	1
69m	123481	SCREW, shoulder, screw, 1/4-20	2	90	113471	SCREW, cap, hex hd	1
69n	15X277	BRACKET, left	1	92	114648	CAP, dust	3
69p	112310	SCREW, cap, sch	4	93	114682	SPRING, compression	1
69r	15X281	ADJUSTER	1	94	241445	CABLE	1
69s	15X274	GATE, poly	1	95	114802	STOP, wire	1
69t	15X275	GATE, bar	1	98	123443	SCREW, cap, flng hd	2
69u	15X273	PLATE, slide	2	114	114659	GRIP, handle	5
69v	114708	SPRING, compression	4	128	100187	NUT	4
69w	24C672	KIT, shaft, knurled, assembly	1	132	101580	NUT, lock	1
69x	114797	GASKET	2	134	114766	BOLT, cap hex head	1
69y	123304	BEARING, double sealed	2	138	111145	KNOB, pronged	3
69z	15X276	BRACKET, right	1	139	111192	SCREW, cap flange hd	26
69aa	15X272	HOUSING, dispenser	1	160	116789	CLAMP, hose	6
69bb	16A252	PLATE, slide, middle	1	172	119547	NUT, hex, lock, nylon, thin	2
69cc	104034	WASHER, plain	8	179	15V415	CLEVIS	4
69dd	119872	SCREW, shoulder	4	181	16A041	SHAFT, threaded	1
78	15W873	ARM, die/bead dispenser	1	182	16A048	SHAFT, threaded	1
82	112405	NUT, lock	6	189	16A100	HOSE, bead	3
83	112825	SPRING, belleville	10	211	100664	SCREW, set, sch	1
85	101566	NUT, lock	5	228▲	16A276	LABEL, ISO symbols warn instr	1
86	287881	CASTER, linelazer	1	248	196845	LABEL, ident, top, roof rigs	2
86a	112405	NUT, lock	1	264▲	15Y966	LABEL, fire and explosion warning	1
86b	112825	SPRING, belleville	2	268	120592	PIN, cotter, hairpin	3
86c	113485	BEARING, cup/cone	2	270	16A577	SHIELD, heat, bead hopper	2
86d	15G952	CASTER, (machine)	1				
86e	181818	KNOB, pronged	1				
86f	198606	DISK, adjuster	1				

▲ Replacement warning labels are available at no cost.

Parts

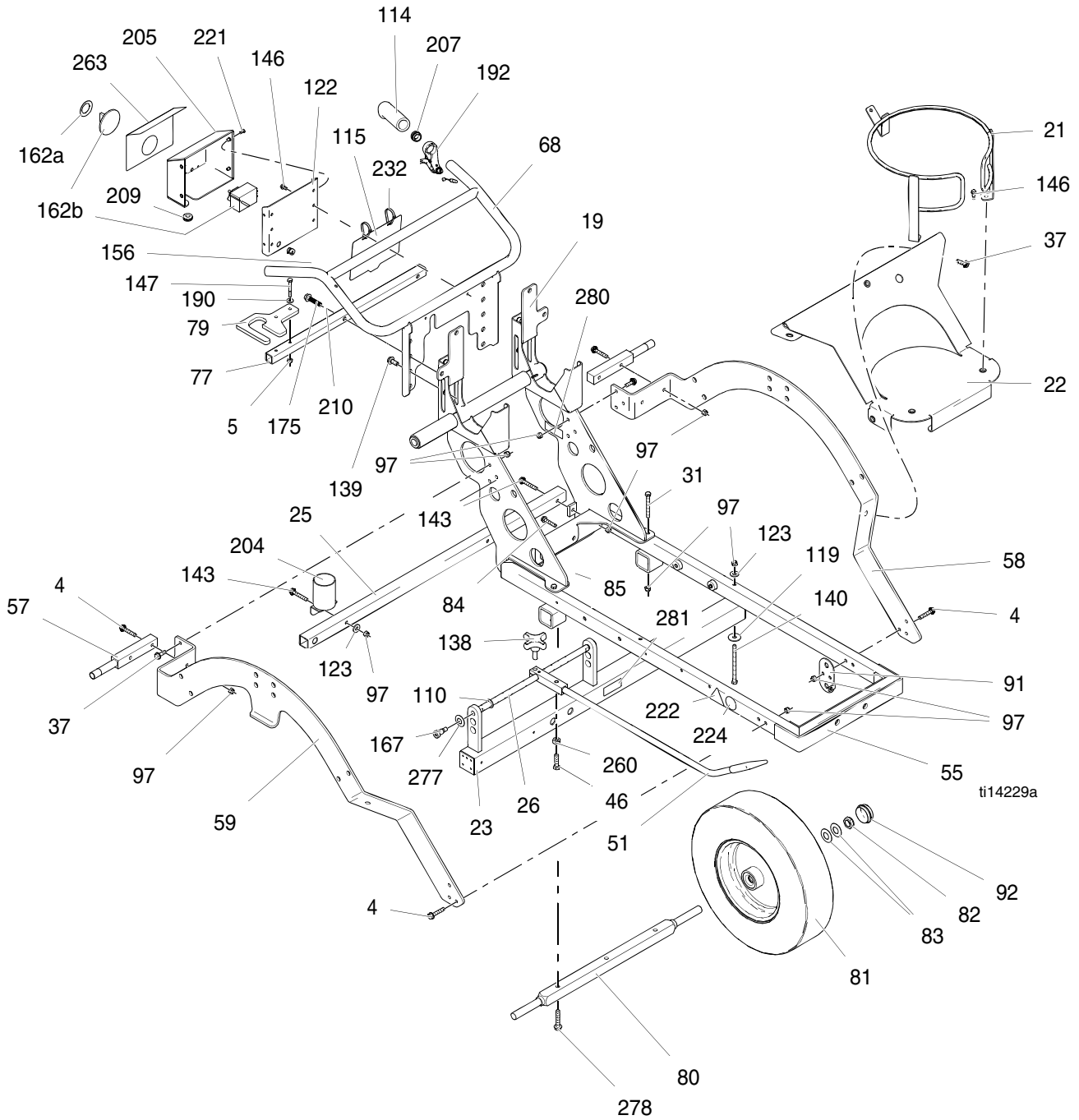


ti14228a

Parts List

Ref.	Part	Description	Qty.	Ref.	Part	Description	Qty.
1	24C394	KIT, ring, burner, 4.25 in. D	2	117	16A061	TUBE, formed, gas, thermolazer	2
2	24C395	KIT, heater, replacement (includes 2a - 2h)	1	118	16A058	TUBE, formed, gas, thermolazer	1
2a	16A912	HEATER, IR, burner, complete	1	120	100016	WASHER, lock	2
2b	16A526	DEFLECTOR, screed box, heat	1	121	100015	NUT, hex mscr	3
2c	15W394	INSULATOR, ceramic fiber	1	126	123085	CONTROL, igniter, pulse	1
2d	15W711	PLATE, chamber, die	1	131	114104	SCREW, mach, hex wash hd	3
2e	107257	SCREW, thd forming	6	135	100030	BUSHING	2
2f	24C652	REGULATOR	1	141	110345	SCREW, mach, pnh	3
2g	156971	FITTING, nipple, short	1	142	110249	ADAPTER, male elbow 90 degr	1
2h	123159	FITTING, flared, 1/4 pipe, 90 elbow	1	148	122667	SCREW, drill, hex washer head	3
5	102040	NUT, lock, hex	3	149	118458	FITTING, elbow, male	1
7	122944	FITTING, thermopile	1	150	118472	FITTING, tee	1
8	122945	TOOL, torch	1	151	118484	FITTING, connector	1
9	122946	VALVE, shut off	2	156	119545	BUSHING, strain, relief	2
10	122947	REGULATOR	1	161	123155	FITTING, flared, 1/4 pipe, 90 elbow	1
11	24C396	KIT, valve, burner, pilot	1	164	123157	FITTING, flared, 1/2 pipe, adapter	1
13	16A911	VALVE, gas, LP conversion (includes 13a)	1	165	123158	FITTING, flared, 3/8 tube, tee	1
13a	24C113	KIT, fitting, connector	1	166	123159	FITTING, flared, 1/4 pipe, 90 elbow	3
17	106228	FITTING, tee, street	1	171	123160	FITTING, flared, 1/4 tube, coupling	1
18	15W441	PLATE, mount, burner	1	174	121458	TIE, lanyard	1
28	15X982	ENCLOSURE, valve	1	178	123186	TOOL, spark lighter	1
29	15X987	COVER, enclosure, valve box	1	186	16A074	TUBE, formed, gas, Thermolazer	1
30	16A708	BLOCK, spacer, gas valve	1	208	110755	WASHER, plain	2
48	16A057	TUBE, formed, gas, Thermolazer	1	217	123184	ELECTRODE	1
49	16A062	TUBE, formed, gas, Thermolazer	1	220	15F979	SCREW, pan head, phillips	3
64	156971	FITTING, nipple, short	1	223	15Y967	LABEL, kettle gas safety valve	1
67	157350	ADAPTER	1	225	100020	WASHER, lock	2
71	16A059	TUBE, formed, gas, Thermolazer	1	229	16A277	LABEL, kettle pilot burner ignit	1
76	16A060	TUBE, formed, gas, Thermolazer	1	230	100179	NUT, hex mscr	2
99	123086	HOSE, propane	1	231	110637	SCREW mach, panhead	2
102	104641	FITTING, bulkhead	2	232	114958	STRAP, tie	5
105	112798	SCREW, thread forming, hex hd	6	276	121413	BATTERY, AA 1.5V (4 peak)	1
115	16A984	HANG TAG	1				

Parts

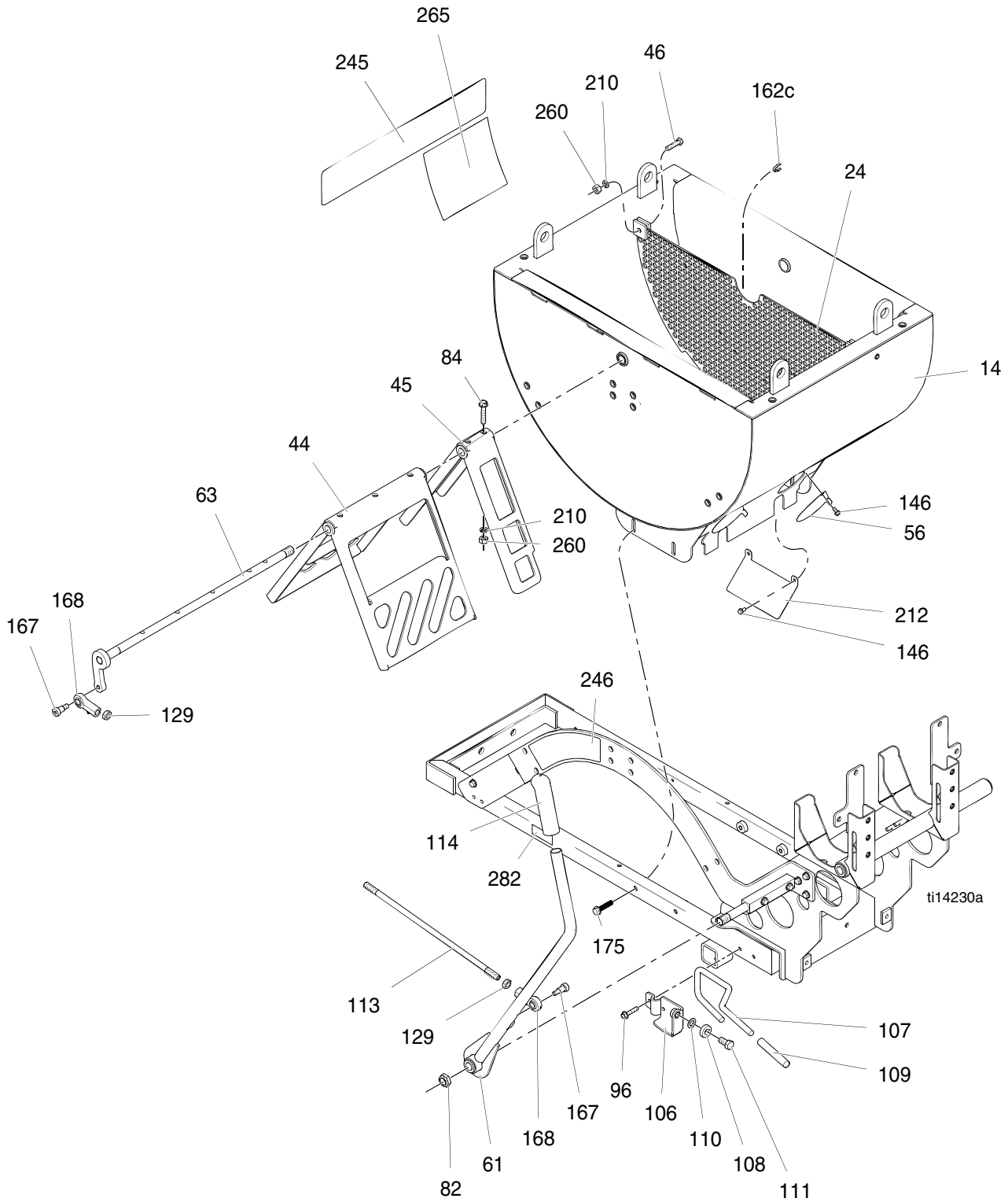


Parts List

Ref.	Part	Description	Qty.	Ref.	Part	Description	Qty.
4	112960	SCREW, cap, flng hd	8	123	100023	WASHER, flat	5
5	102040	NUT, lock, hex	3	138	111145	KNOB, pronged	3
19	15W518	BRACKET, handle, linelazer	1	139	111192	SCREW, cap flng hd	26
21	15W724	HOLDER, tank, propane (weldment)	1	140	110384	SCREW, cap, hex hd	2
22	15W732	BRACKET, support, tank, propane	1	143	114653	SCREW, cap, flange head	3
23	15W735	ARM, screed shroud	1	146	107257	SCREW, thd forming	39
25	15X377	TUBE, support, bead box	1	147	110982	SCREW, cap, hexhd	2
26	16A481	BAR, mount, indicator, line	1	156	119545	BUSHING, strain, relief	2
31	110385	SCREW, cap, hexhd (5/16 x 3)	2	162a	16A873	LABEL, temperature control F & C	1
37	112586	SCREW, cap, hex hd	13	162b	24C397	KIT, control, temperature (includes 162a, 162c)	1
46	102637	SCREW, cap	3	167	123199	SCREW, shoulder, socket head	4
51	24C232	INDICATOR, line, Thermolazer	1	175	117779	SCREW, hex head, flanged	6
55	15W425	FRAME, Thermolazer	1	190	170772	WASHER, plain	2
57	15W443	SHAFT, pivot, agitator	2	192	194310	LEVER, actuator	1
58	15W444	PLATE, mount, side 1	1	204	24B918	BRACKET, mount, torch	1
59	15W445	PLATE, mount, side 2	1	205	15X993	BOX, control	1
68	15W992	BAR, handle	1	207	120151	RETAINER, caplug	3
77	15X286	TUBE, lock	1	209	801012	GROMMET	1
79	15X287	BRACKET, lock	1	210	100133	WASHER, lock	9
80	193405	AXLE	1	221	116610	SCREW, mach, phil, pan, #10	4
81	111020	WHEEL, pneumatic	2	222▲	16A274	LABEL, ISO explosion	1
82	112405	NUT, lock	6	224▲	15Y963	LABEL, ISO read instr	1
83	112825	SPRING, belleville	10	260	100131	NUT, full hex	8
84	111194	SCREW, cap flange hd	7	263	15Y965	LABEL, kettle temp control	1
85	101566	NUT, lock	5	277	119563	WASHER, belleville	1
91	15F910	BRACKET, cable	1	278	114982	SCREW	2
92	114648	CAP, dust	3	280▲	16A836	LABEL, caution replace prt R700C	1
97	111040	NUT, lock, insert, nylock, 5/16	25	281▲	16A837	LABEL, caution replace prt 93412	1
110	195134	SPACER, ball, guide	2	316	16C026	CONDUIT, corrugated	1
114	114659	GRIP, handle	5				
119	108851	WASHER	6				
122	15X995	COVER, control box	1				

▲ Replacement warning labels are available at no cost.

Parts

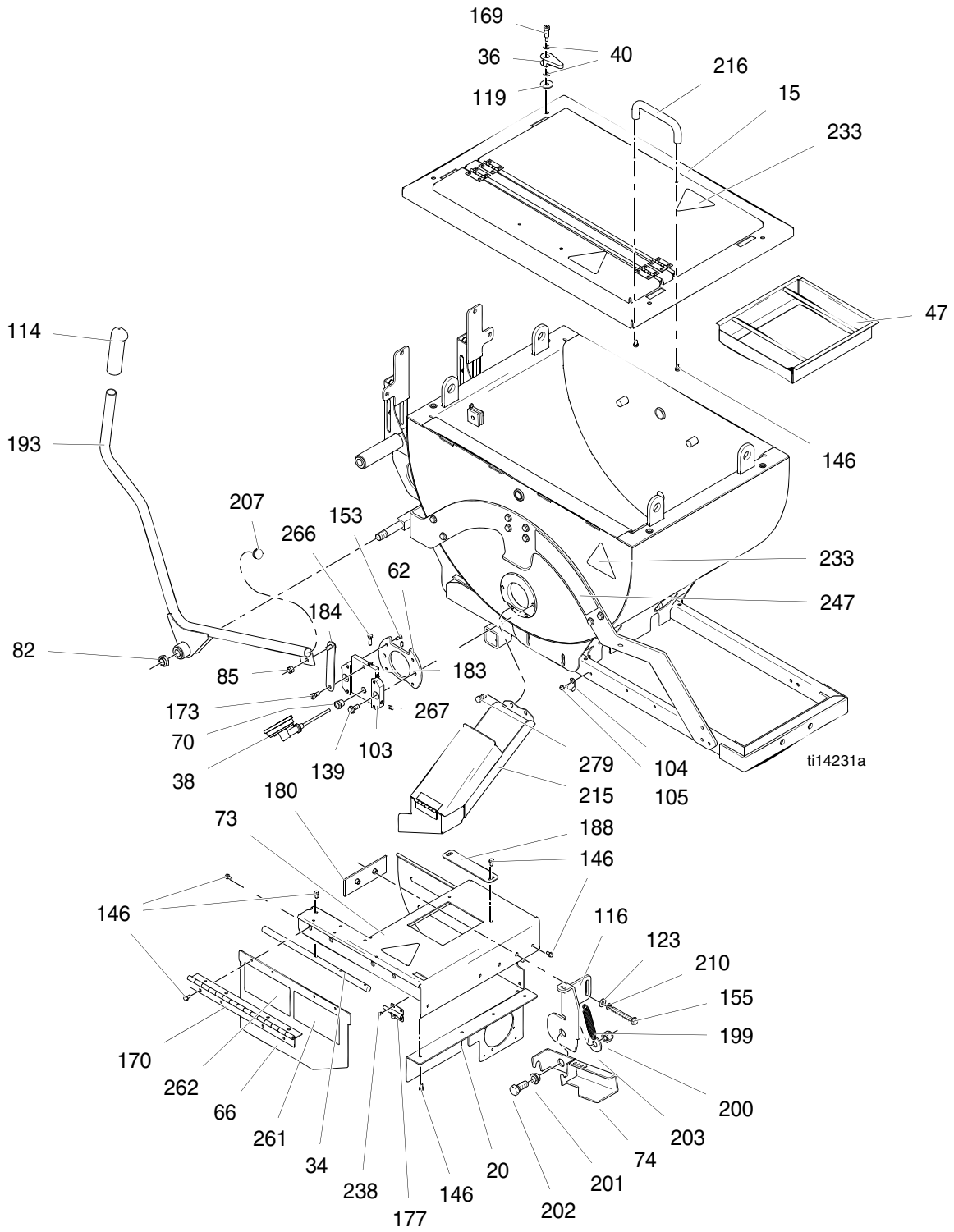


Parts List

Ref.	Part	Description	Qty.	Ref.	Part	Description	Qty.
14	16A404	RESERVIOR, kettle	1	114	114659	GRIP, handle	5
24	15X215	SCREEN, kettle	1	129	100111	NUT	2
44	24C633	AGITATOR, large	1	146	107257	SCREW, thd forming	39
45	24C634	AGITATOR, small	1	162c	16C018	HOLDER, temp probe	5
46	102637	SCREW, cap	3	167	123199	SCREW, shoulder, socket head	4
56	15W440	CHAMBER, heat, site door	4	168	123200	ROD, ball joint, end	2
61	15W447	AGITATOR, arm	1	175	117779	SCREW, hex head, flanged	6
63	258686	SHAFT, agitator	1	210	100133	WASHER, lock	9
82	112405	NUT, lock	6	212	15W733	DEFLECTOR, heat	2
84	111194	SCREW, cap flng hd	7	245	16A315	LABEL, brand, Thermolazer front	1
96	110837	SCREW, flange, hex	2	246	16A316	LABEL, brand, Thermolazer left	1
106	198891	BRACKET	1	260	100131	NUT, full hex	8
107	198930	ROD, brake	1	265▲	15Y964	LABEL, kettle lighting instr	1
108	198931	BEARING	1	282▲	16A838	LABEL, caution replace prt 302V	1
109	114808	CAP, vinyl	1				
110	195134	SPACER, ball, guide	2				
111	113961	SCREW, cap, hex hd	1				
113	15Y673	ROD, pivot, agitator	1				

▲ Replacement warning labels are available at no cost.

Parts



Parts List

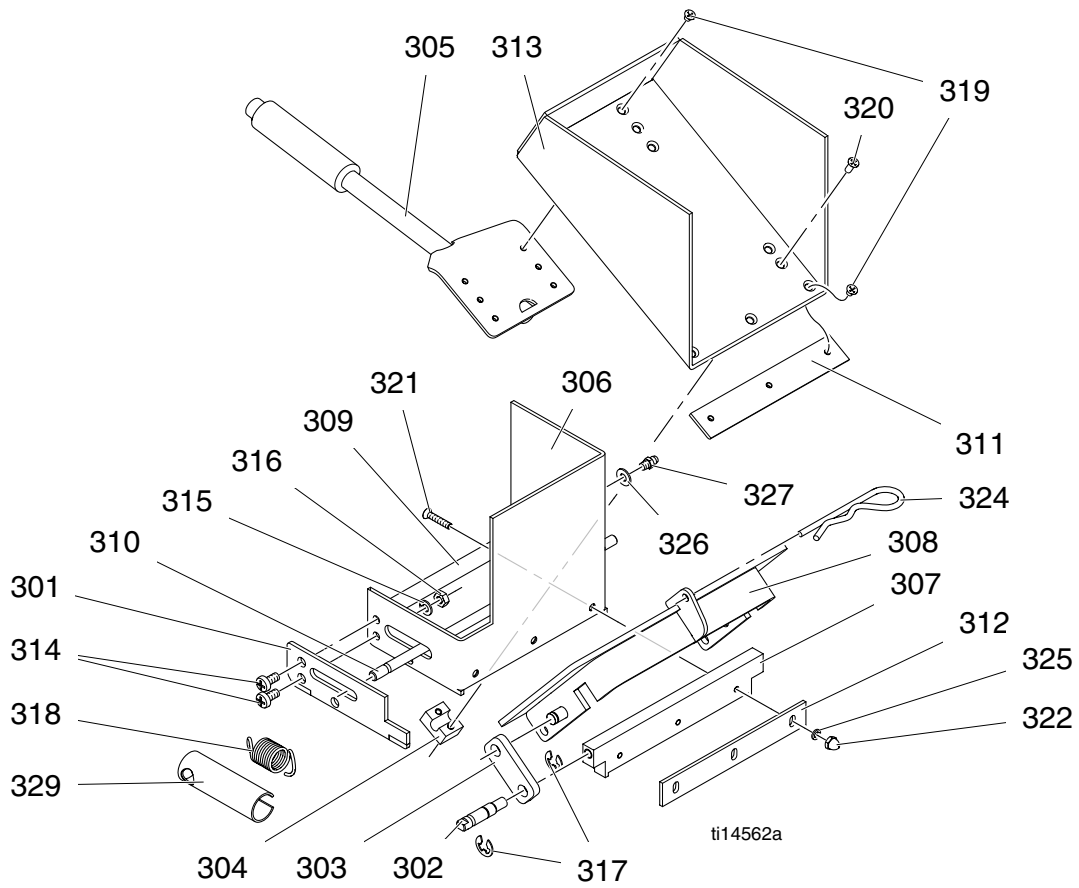
Ref.	Part	Description	Qty.	Ref.	Part	Description	Qty.
15	15W407	COVER, kettle	1	173	121256	SCREW, shoulder, skt hd	1
20	15W711	PLATE, chamber, die	1	177	123099	LOCK, slide barrel	1
34	15Y339	ROD, support, die	1	180	15Y949	PLATE, back support	1
36	15Y677	LATCH, cover	4	183	24C105	GATE, valve, finished	1
38	15Y679	THERMOMETER, temp gauge	1	184	16A068	LINK, gate valve	1
40	113680	WASHER, wave	8	188	16A084	BRACKET, funnel cover	1
47	257368	SCREEN, inlet	1	193	24B811	HANDLE, gate valve	1
62	16A065	FLANGE, mount, gate valve	1	199	123206	SPRING, extension	1
66	15W723	DOOR, chamber, die	1	200	101712	NUT, lock	1
70	168160	BUSHING, pipe	1	201	123209	BEARING, flanged	1
73	16A525	SHIELD, screed, heat	1	202	123208	SCREW, cap, hex head	1
74	15W614	HANDLE, actuator	1	203	115028	WASHER, flat	1
82	112405	NUT, lock	6	207	120151	REATINER, cap lug	3
85	101566	NUT, lock	5	210	100133	WASHER, lock	9
103	16A066	PLATE, guide, gate valve	2	215	24B925	FUNNEL, complete	1
104	108868	CLAMP, wire	2	216	15W412	HANDLE, cover	2
105	112798	SCREW, thread forming, hex HD	6	233▲	16A275	LABEL, ISO hot surface	5
114	114659	GRIP, handle	5	238	123035	RIVET, blind	7
116	15W737	BRACKET, tension, die	1	247	16A317	LABEL, brand, Thermolazer right	1
119	108851	WASHER, plain	6	261▲	16A468	LABEL, torch lighting instr	1
123	100023	WASHER, flat	5	262▲	16A469	LABEL, screed box lighting instr	1
139	111192	SCREW, cap flng hd	26	266	100021	SCREW, cap hex hd	2
146	107257	SCREW, thd forming	39	267	100846	FITTING, lubrication, st	2
153	123164	SCREW, sockethead, flat	4	279	100680	SCREW, cap, hex hd	2
155	116935	SCREW, cap, flnghd	2				
169	120476	BOLT, shoulder, 5/16	4				
170	123154	HINGE, access door	1				

▲ Replacement warning labels are available at no cost.

Parts

SmartDie™ Screed Box

- 256736 - 4 in. (10 cm)
- 257469 - 5 in. (12 cm)
- 256737 - 6 in. (15 cm)
- 257470 - 7 in. (18 cm)
- 256738 - 8 in. (20 cm)
- 257471 - 9 in. (22.5 cm)
- 257472 - 10 in. (26 cm)
- 256739 - 12 in. (30 cm)



Parts List

SmartDie™ Screed Box

256736 - 4 in. (10 cm)

257469 - 5 in. (12 cm)

256737 - 6 in. (15 cm)

257470 - 7 in. (18 cm)

256738 - 8 in. (20 cm)

257471 - 9 in. (22.5 cm)

257472 - 10 in. (26 cm)

256739 - 12 in. (30 cm)

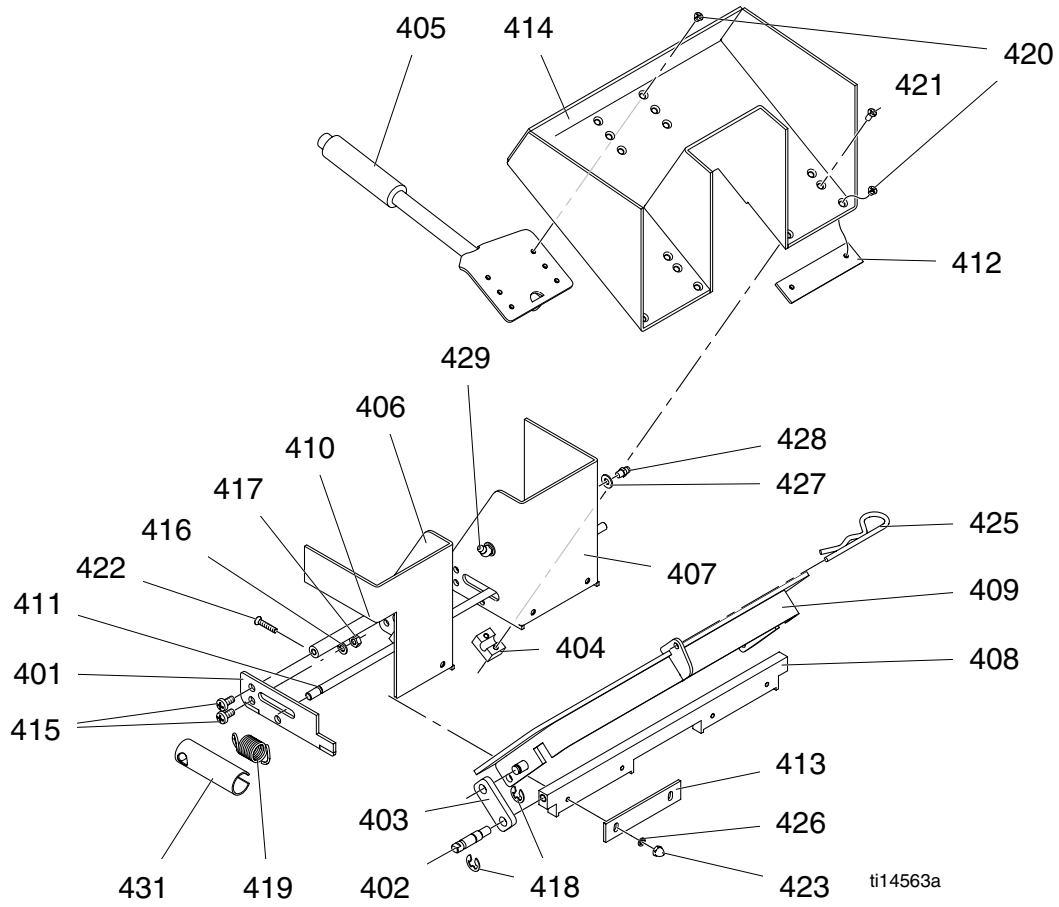
Ref.	Part	Description	Qty.	Ref.	Part	Description	Qty.
301	273044	PLATE, die runner w/carbide	2		15X826	SLIDE, die guide (257471)	1
302	15W745	SHAFT, front die bar	2		15X827	SLIDE, die guide (257472)	1
303	15V374	BAR, die link	2		15V383	SLIDE, die guide (256739)	1
304	15V371	BLOCK, pillow	2	311	15V375	BAR, reinforced angled (256736)	1
305	15W624	BRACKET, pivot (weldment)	1		15X832	BAR, reinforced angled (257469)	1
306	15V392	GATE, doctor (256736)	1		15V376	BAR, reinforced angled (256737)	1
	15X812	GATE, doctor (257469)	1		15X833	BAR, reinforced angled (257470)	1
	15V393	GATE, doctor (256737)	1		15V377	BAR, reinforced angled (256738)	1
	15X813	GATE, doctor (257470)	1		15X834	BAR, reinforced angled (257471)	1
	15V394	GATE, doctor (256738)	1		15X835	BAR, reinforced angled (257472)	1
	15X814	GATE, doctor (257471)	1		15V378	BAR, reinforced angled (256739)	1
	15X815	GATE, doctor (257472)	1	312	15X808	BAR, spacer (256736)	1
	15V395	GATE, doctor (256739)	1		15X836	BAR, spacer (257469)	1
307	15V384	BAR, front die, 90 ml (256736)	1		15X809	BAR, spacer (256737)	1
	15X816	BAR, front die, 90 ml (257469)	1		15X838	BAR, spacer (257470)	1
	15V385	BAR, front die, 90 ml (256737)	1		15X810	BAR, spacer (256738)	1
	15X817	BAR, front die, 90 ml (257470)	1		15X839	BAR, spacer (257471)	1
	15V386	BAR, front die, 90 ml (256738)	1		15X840	BAR, spacer (257472)	1
	15X818	BAR, front die, 90 ml (257471)	1		15X881	BAR, spacer (256739)	1
	15X819	BAR, front die, 90 ml (257472)	1	313	15V372	DISPENSER, die, trough (256736)	1
	15V387	BAR, front die, 90 ml (256739)	1		15X828	DISPENSER, die, trough (257469)	1
308	273027	YOKE, weldment (256736)	1		15V404	DISPENSER, die, trough (256737)	1
	257473	YOKE, weldment (257469)	1		15X829	DISPENSER, die, trough (257470)	1
	273028	YOKE, weldment (256737)	1		15V405	DISPENSER, die, trough (256738)	1
	257474	YOKE, weldment (257470)	1		15X830	DISPENSER, die, trough (257471)	1
	273029	YOKE, weldment (256738)	1		15X831	DISPENSER, die, trough (257472)	1
	257475	YOKE, weldment (257471)	1		15V406	DISPENSER, die, trough (256739)	1
	257476	YOKE, weldment (257472)	1	314	113783	SCREW, machine, pn hd	6
	257156	YOKE, weldment (256739)	1	315	100016	WASHER, lock	4
309	15V396	BAR, threaded torsion (256736)	1	316	100015	NUT, hex mscr	4
	15X820	BAR, threaded torsion (257469)	1	317	101134	RING, retaining, ext.	4
	15V397	BAR, threaded torsion (256737)	1	318	24C675	KIT, spring, extension (pkg 6)	1
	15X821	BAR, threaded torsion (257470)	1	319	123339	SCREW, mach, flat head, undercut	11
	15V398	BAR, threaded torsion (256738)	1	320	123340	SCREW, mach, flat head, undercut	4
	15X822	BAR, threaded torsion (257471)	1	321	123353	SCREW, mach, flat head	5
	15X823	BAR, threaded torsion (257472)	1	322	102432	NUT, speed acorn	5
	15V399	BAR, threaded torsion (256739)	1	324	123385	PIN, cotter, hairpin	1
310	15V380	SLIDE, die guide (256736)	1	325	100020	WASHER, lock	5
	15X824	SLIDE, die guide (257469)	1	326	100086	WASHER, plain	2
	15V381	SLIDE, die guide (256737)	1	327	100846	FITTING, st	2
	15X825	SLIDE, die guide (257470)	1	329	24C676	KIT, guard, spring, assembly (pkg 2)	1
	15V382	SLIDE, die guide (256738)	1				

Parts

SmartDie™ Screed Box

24B729 - 4-3-4 in. (10-8-10 cm)

256799 - 4-4-4 in. (10-10-10 cm)



Parts List

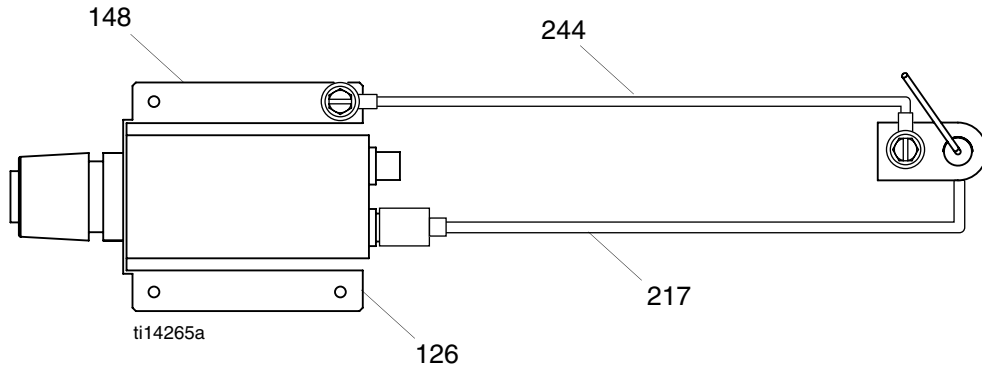
SmartDie™ Screed Box

24B729 - 4-3-4 in. (10-8-10 cm)

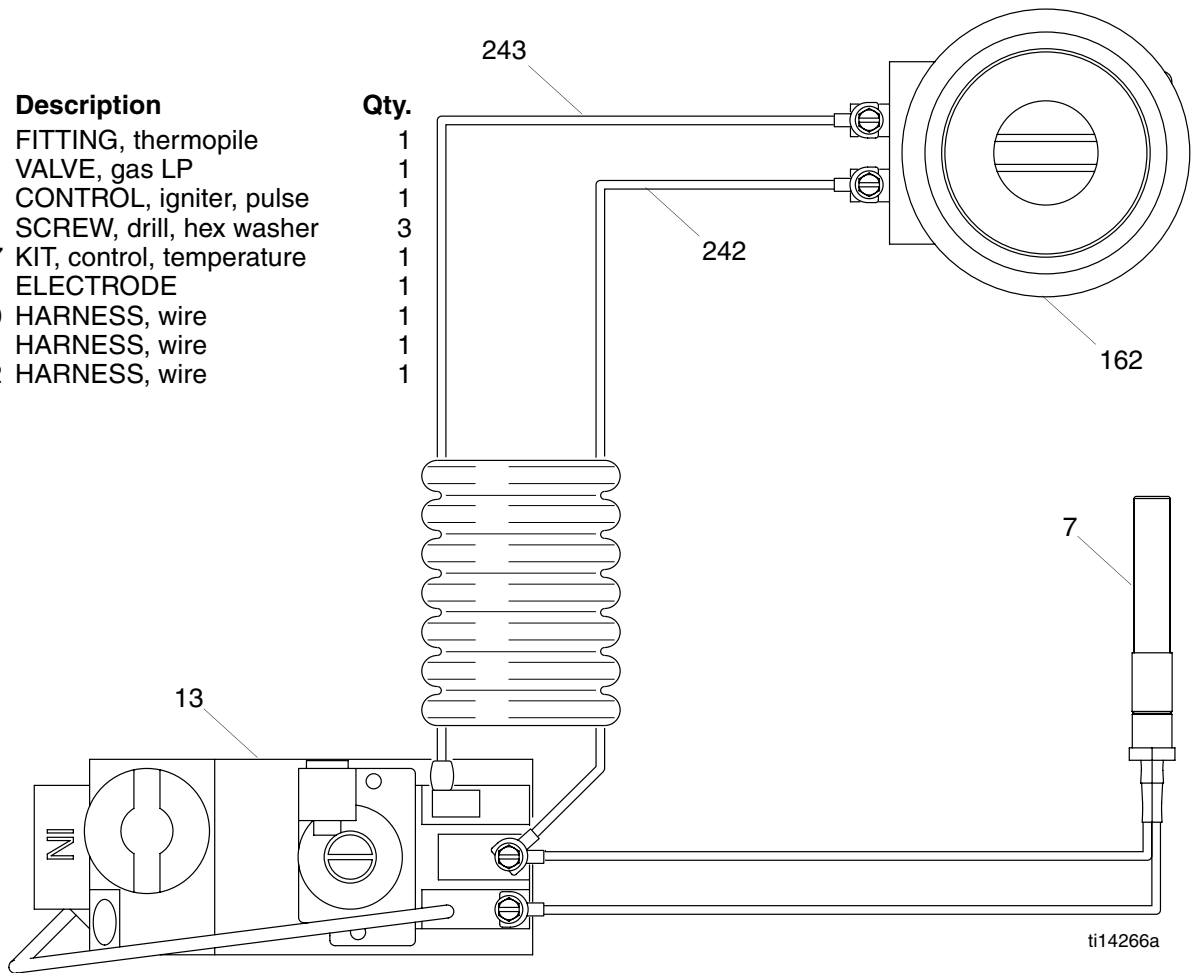
256799 - 4-4-4 in. (10-10-10 cm)

Ref.	Part	Description	Qty.	Ref.	Part	Description	Qty.
401	273044	PLATE, die runner w/carbide	4	415	113783	SCREW, machine, pn hd	12
402	15W745	SHAFT, front die bar	2	416	100016	WASHER, lock	8
403	15V374	BAR, die link	2	417	100015	NUT, hex mscr	8
404	15V371	BLOCK, pillow	4	418	101134	RING, retaining, ext.	4
405	15W624	BRACKET, pivot (weldment)	1	419	24C675	KIT, spring, extension (pkg 6)	1
406	15V653	GATE, double line doctor lf	1	420	123339	SCREW, mach, flat head, undercut	10
407	15V655	GATE, double line doctor rt	1	421	123340	SCREW, mach, flat head, undercut	8
408	15Y846	BAR, dl front die, 90 ml (24B729)	1	422	123353	SCREW, mach, flat head	4
	15V901	BAR, dl front die, 90 ml (256799)	1	423	102432	NUT, speed acorn	4
409	24B731	YOKE, 12 in. weldment (24B729)	1	425	123385	PIN, cotter, hairpin	1
	257156	YOKE, 12 in. weldment (256799)	1	426	100020	WASHER, lock	4
410	15V396	BAR, 4 in. threaded torsion	2	427	100086	WASHER, plain	4
411	15Y845	SLIDE, 12 in. die guide (24B729)	1	428	100846	FITTING, st	2
	15V383	SLIDE, 12 in. die guide (256799)	1	429	100847	FITTING, lubrication	2
412	15V375	BAR, 4 in. reinforced angled	2	431	24C676	Kit, guard, spring, assembly (pkg 2)	1
413	15X808	BAR, spacer, 4 in.	2				
414	24B730	BOX, double line weldment (24B729)	1				
	273035	BOX, double line weldment (256799)	1				

Wiring Diagram



Ref.	Part	Description	Qty.
7	122944	FITTING, thermopile	1
13	16A911	VALVE, gas LP	1
126	123085	CONTROL, igniter, pulse	1
148	122667	SCREW, drill, hex washer	3
162	24C397	KIT, control, temperature	1
217	123184	ELECTRODE	1
242	16A270	HARNESS, wire	1
243	16A271	HARNESS, wire	1
244	16A272	HARNESS, wire	1



*All written and visual data contained in this document reflects the latest product information available at the time of publication.
Graco reserves the right to make changes at any time without notice.*

This manual contains English. MM 313880

Graco Headquarters: Minneapolis

International Offices: Belgium, China, Japan, Korea

GRACO INC. P.O. BOX 1441 MINNEAPOLIS, MN 55440-1441

Copyright 2009, Graco Inc. is registered to ISO 9001

www.graco.com